

## Product information sheet DIVON II 5 S-IF

Item no. 521659 / 521660

### Benefits

---



- Beautifully shaped sink with an irresistible overall appearance
- Perfectly matched geometries and areas
- Straight lined bowls with an elegant 10 mm corner radius
- Large bowl capacity and fully utilisable base
- Product line meets the requirements for almost any planning situation
- Highquality features with covered Coverflow and InFino drain system gracefully integrated and easycare

## Planning information

---

- No additional drill holes may be made
- If using a soap dispenser the drain remote control must be replaced by the soap dispenser and the InFino drain system with remote control replaced by an InFino manual drain system without remote control
- Please contact us in case of queries we will be glad to help
- The item number for the InFino manual drain system without remote control is available on request
- Cutout information for all of the installation processes can be found in our internet download

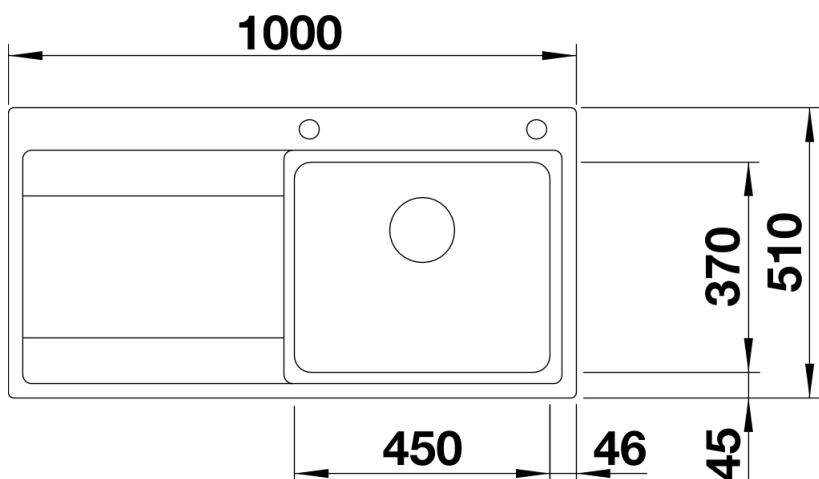
## Scope of supply

---

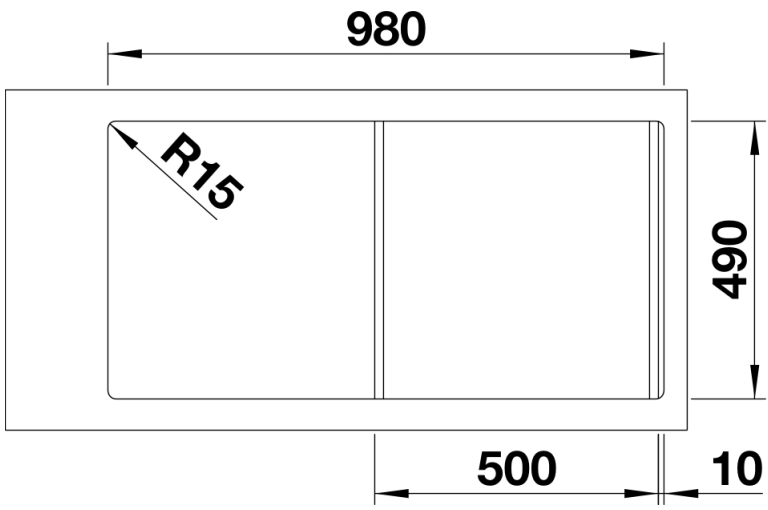
- waste kit with spacesaving pipe
- 3 12 InFino basket strainer with drain remote control rotary switch

## Details

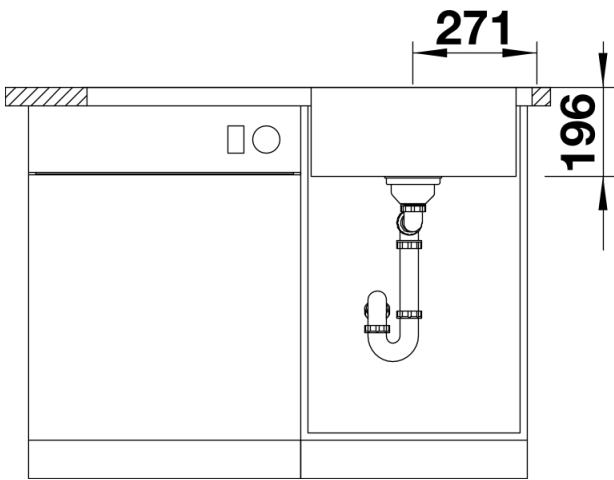
---



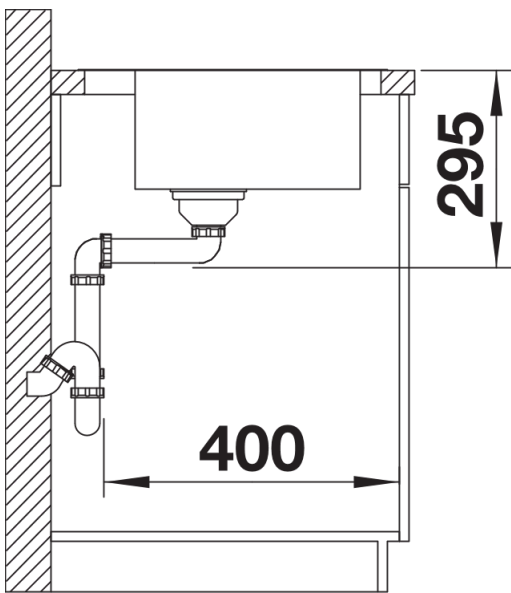
Top view



Cut-out



Front view



Side view