

## Product information sheet ETAGON 500-IF/A

Item no. 521748

### Benefits

---



- Generous staggered bowl with the functionality of a sink centre
- Integrated step creates an additional functions level
- Innovative system concept with versatile ETAGON rails
- Highquality features with the covered Coverflow and InFino drain system elegantly integrated and extremely easycare

## Scope of supply

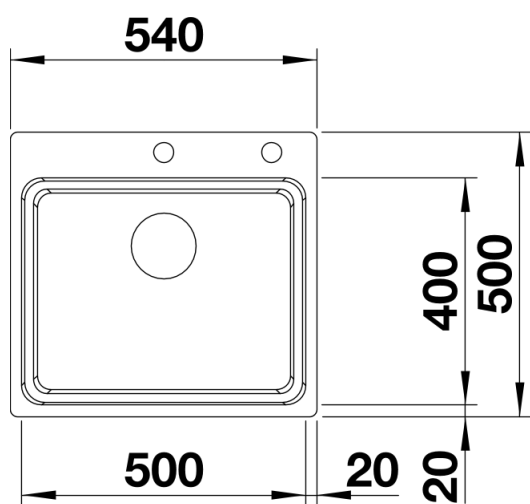
---

- 2 x ETAGON rails in stainless steel
- waste kit with spacesaving pipe
- 3 12 InFino basket strainer with drain remote control popup
- fixing kit

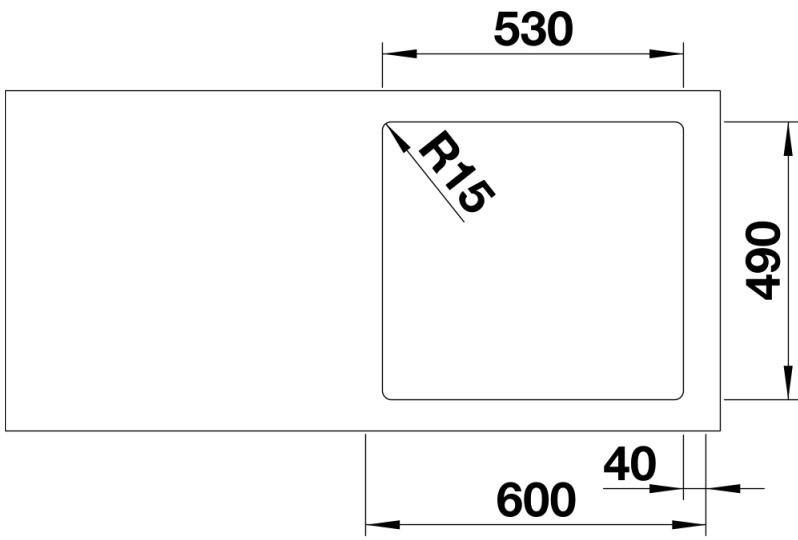
234164 - Two ETAGON rails

## Details

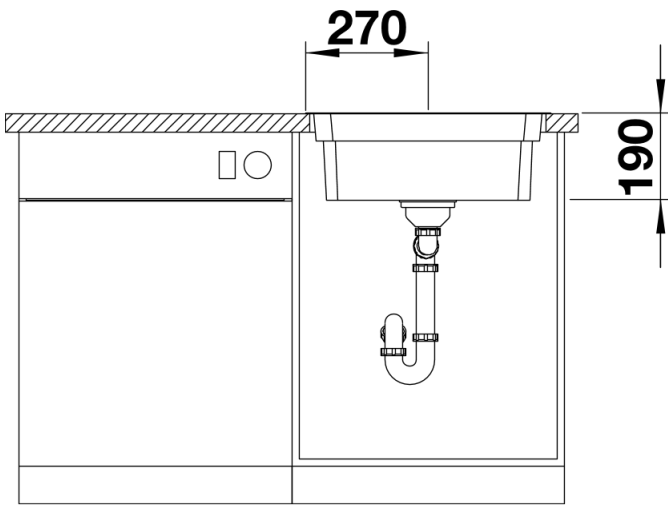
---



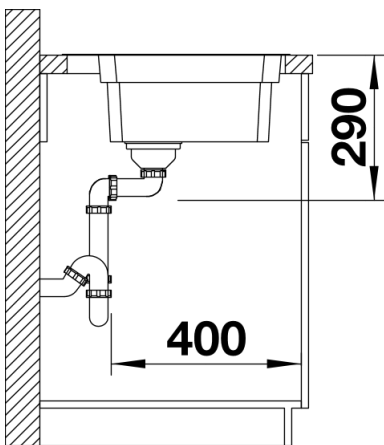
Top view



Cut-out



Front view



Side view