

## Product information sheet SUBLINE 320-U

Item no. 523406

### Benefits

---



- Maximum bowl size provided by the very best in production and mounting technology
- Mounting involves no additional expense
- Under mount bowl for discerning demands on design
- Timelessly elegant, contoured bowl design
- Entire system for a wide variety of plans featuring large and small bowls
- Elegant and hygienic: the covered C-overflow®
- Optional accessories

### Colours

---



#### Available colours:

rock grey  
alu metallic  
pearl grey  
anthracite  
white  
tartufo  
jasmine  
coffee  
black

SILGRANIT® PuraDur® anthracite

## Planning information

---

- Corner radius: 10mm
- Cut out size: 320 x 400 x R10
- Cut out information supplied with bowls.
- Cut out CNC files also available on [www.blanco.co.uk](http://www.blanco.co.uk) for download.

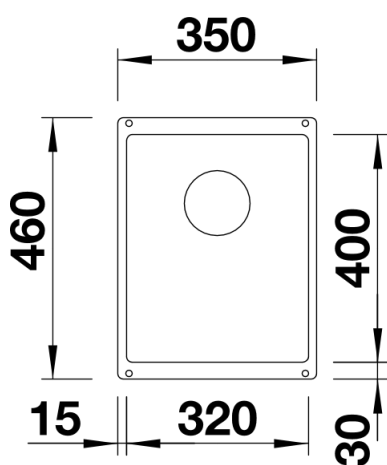
## Scope of supply

---

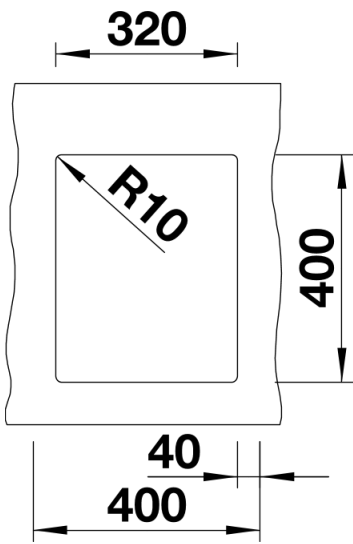
- 3 1/2" basket strainer, fixing kit 218 269 included (sealing not included)

## Details

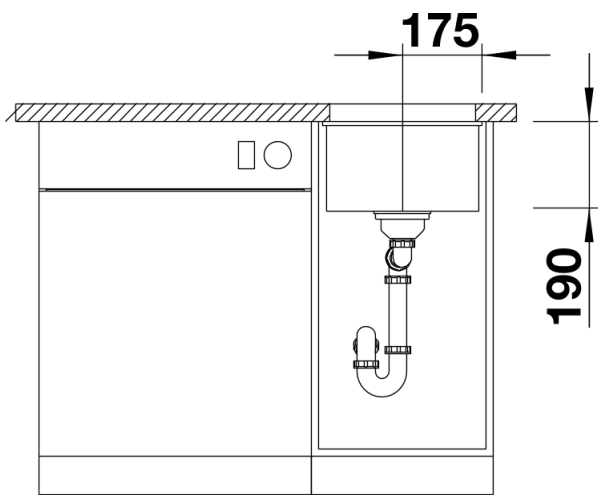
---



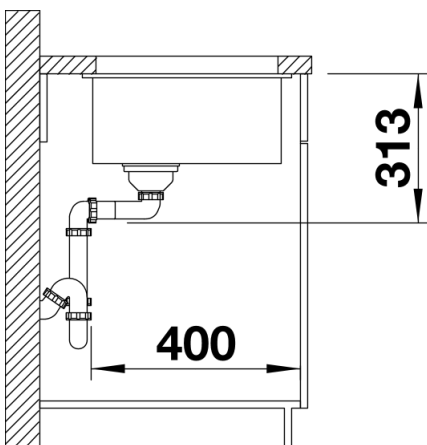
Top view



Cut-out



Front view



Side view